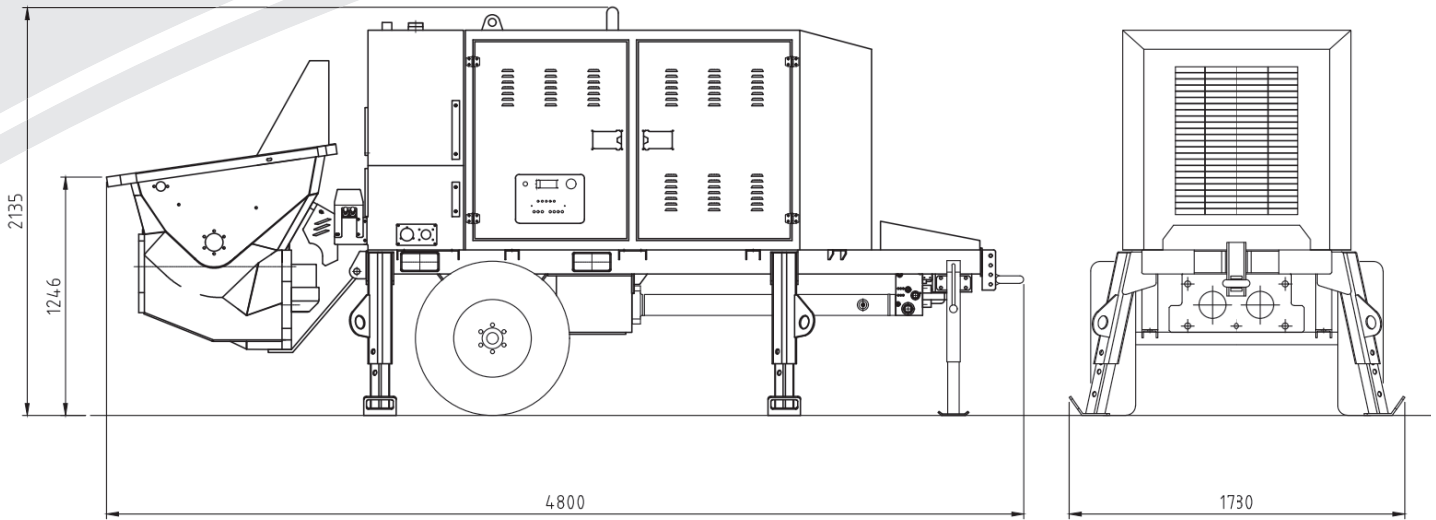


Technical Data



<input checked="" type="checkbox"/> Pump specifications Wt. 3890 kg	
Maximum output	Up to 65 [m ³ /h]
Concrete pressure	Up to 70 bar
Stroke per minute	Up to 34
Hydraulic Cylinder	Ø90/ Ø55×1100 [mm]
Concrete cylinder volume dimensions	Ø200×1000 [mm]
Hopper capacity	0.5 [m ³]
S-tube	Ø200×Ø180 [mm]
Max. aggregate size	40 [mm]
Cycling system	Hydraulic with manual overrides
Hydraulic pump	KAWASAKI 117S
Engine - EU Stage V	CAT – C3.6 [90kW/121hp]
Engine rpm	1975 rpm
Vertical distance	100 [m]
Horizontal distance	175 [m]

- ⊙ Maximum theoretical values listed
- ⊙ Photos and drawings are for illustrative purpose only
- ⊙ Right to make technical amendments reserved

Performance diagram

