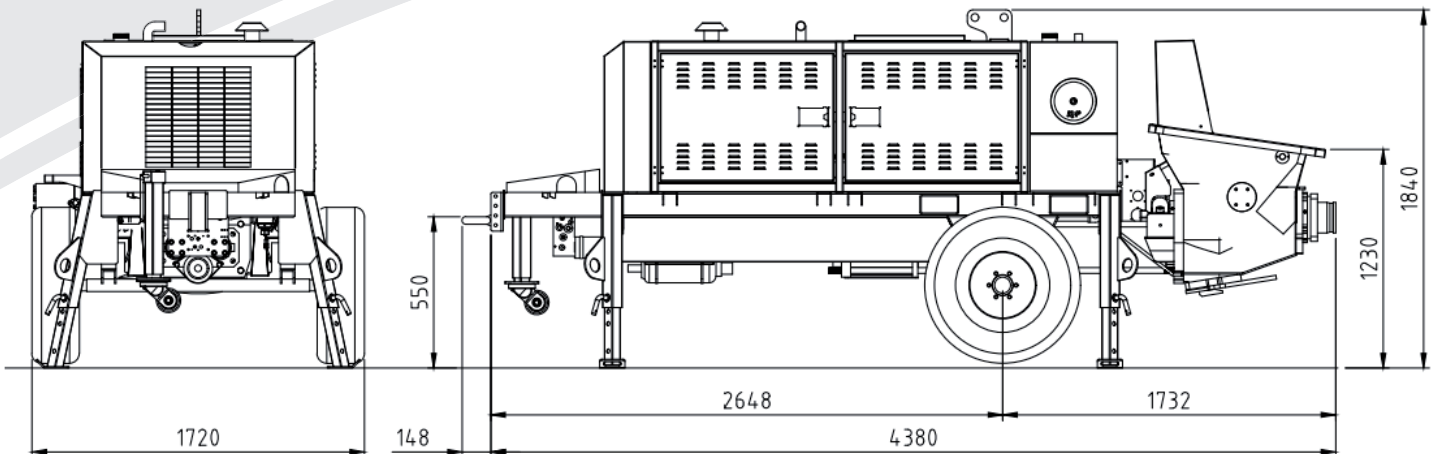
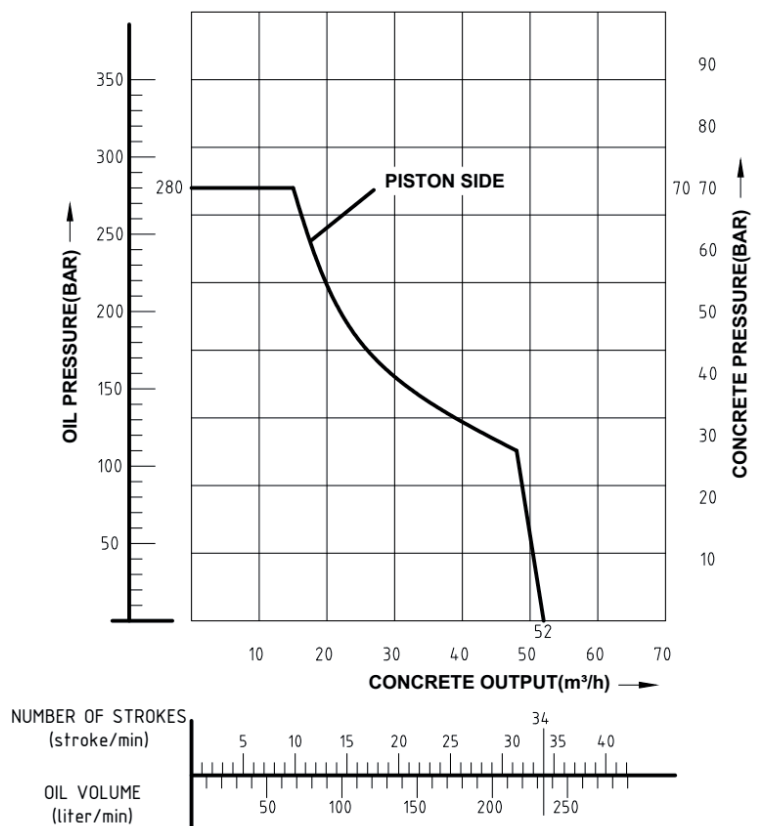


Technical Data



<ul style="list-style-type: none"> ■ Pump specifications 	Wt - 2980kg
Maximum output	Up to 52 [m ³ /h]
Concrete pressure	Up to 70 [bar]
Stroke per minute	Up to 34
Hydraulic Cylinder	Ø90/ Ø55×1100 [mm]
Concrete cylinder volume dimensions	Ø180×1000 [mm]
Hopper capacity	0.4 [m ³]
S-tube	Ø180×Ø120
Max. aggregate size	40 [mm]
Hydraulic pump	Kawasaki 95S
Engine - EU Stage V	KIOTI – 2.4T [55.7kW/73hp]
Engine rpm	2100 rpm
Vertical distance	100 [m]
Horizontal distance	175 [m]

■ Performance diagram



- ⊙ Maximum theoretical values listed
- ⊙ Photos and drawings are for illustrative purpose only
- ⊙ Right to make technical amendments reserved

